



ARISTON

# SPARE PARTS EXPLODED VIEW GAS-WALL BOILER ATM. BURNER

Model

## HS X - CARES X

R8203464-07 - 24/09/2018

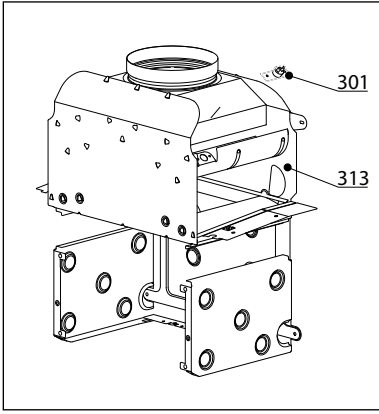
HS X - CARES X

Gas-wall boiler atm. burner

1	3300897	HS X 15 CF NG	09-2016	-
2	3300896	HS X 24 CF NG	09-2016	-
3	3300895	HS X 15 FF NG	09-2016	-
3	3300946	HS X 15 FF (RU)	12-2016	-
3	3301334	HS X 15 FF (RU)	07-2018	-
4	3300894	HS X 18 FF NG	09-2016	-
5	3300893	HS X 24 FF NG	09-2016	-
5	3301337	HS X 24 FF NG	02-2018	-
6	3300889	CARES X 15 CF NG	09-2016	-
7	3300888	CARES X 24 CF NG	09-2016	-
8	3300887	CARES X 15 FF NG	09-2016	-
9	3300886	CARES X 18 FF NG	09-2016	-
10	3300885	CARES X 24 FF NG	09-2016	-
10	3301332	CARES X 24 FF NG	01-2018	-
11	3300891	CARES SYSTEM X 24 CF NG	12-2016	07-2018
12	3300890	CARES X SYSTEM 24 FF NG	12-2016	07-2018

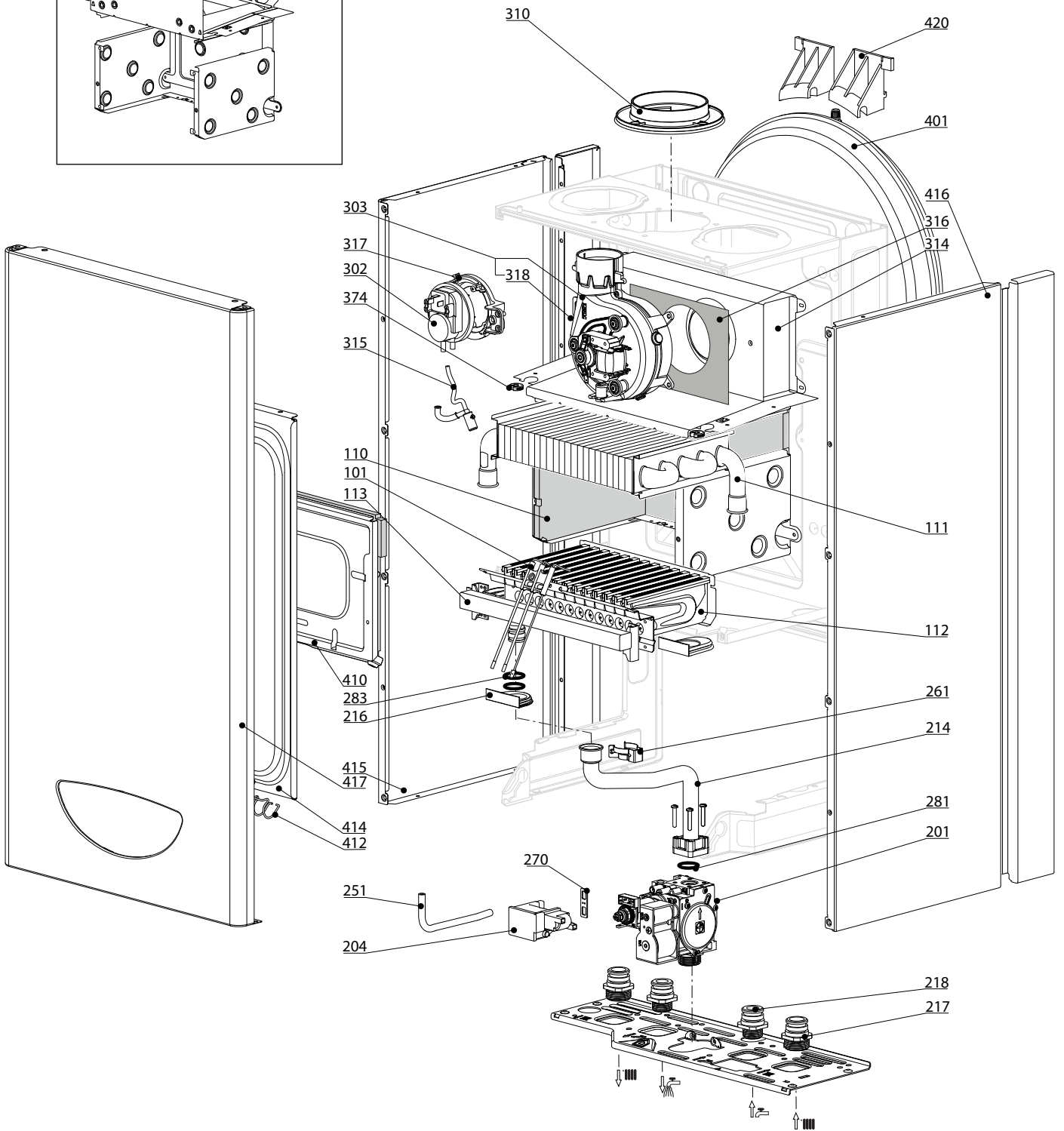
Col	Reference	Model type	Begin	End
-----	-----------	------------	-------	-----

100  
200  
300  
400

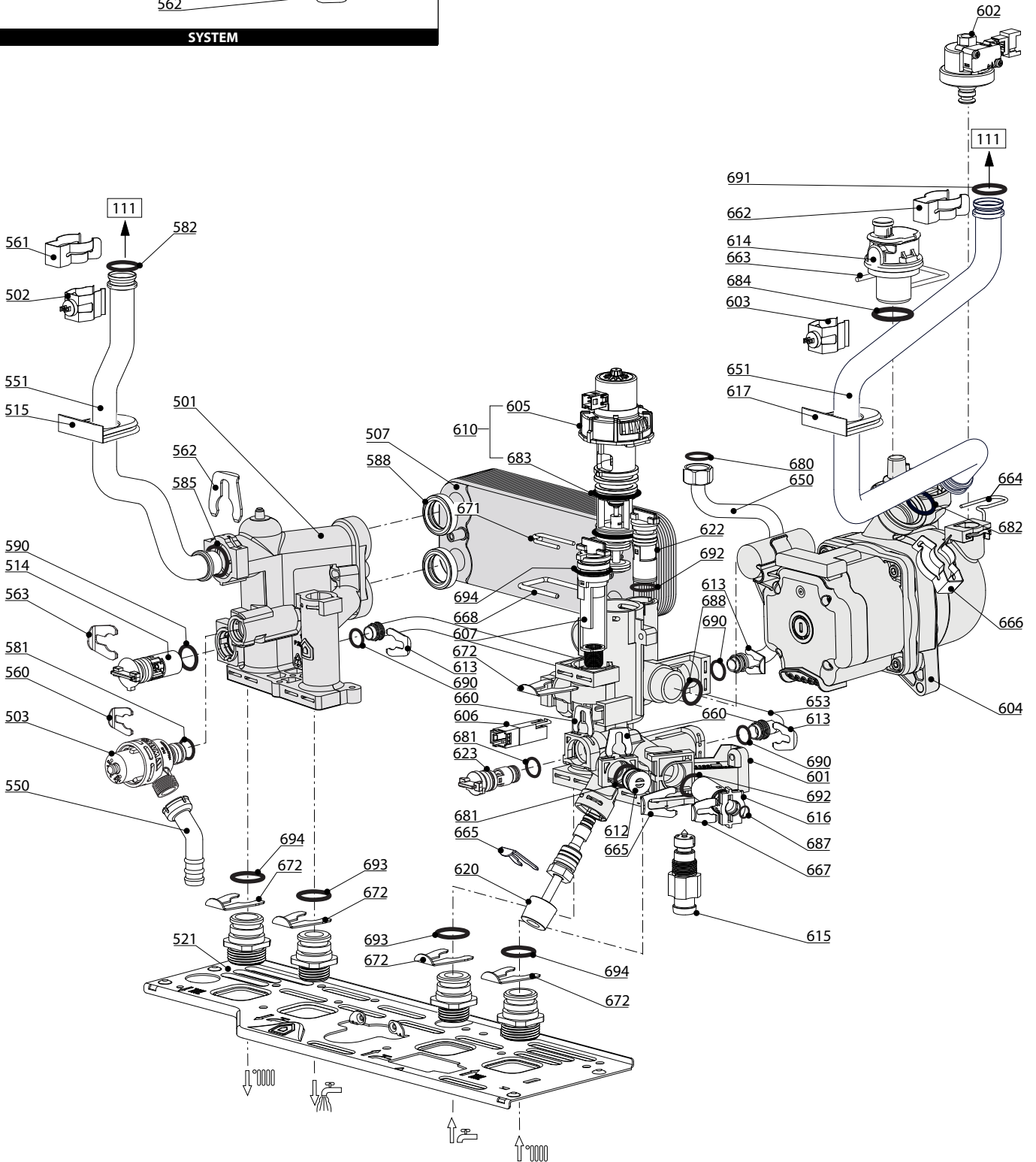
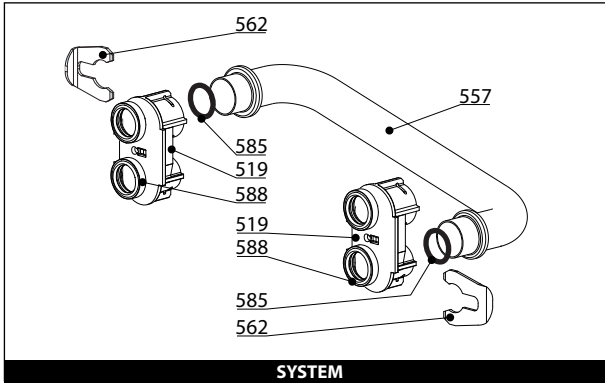


HS X - CARES X

Gas-wall boiler atm. burner

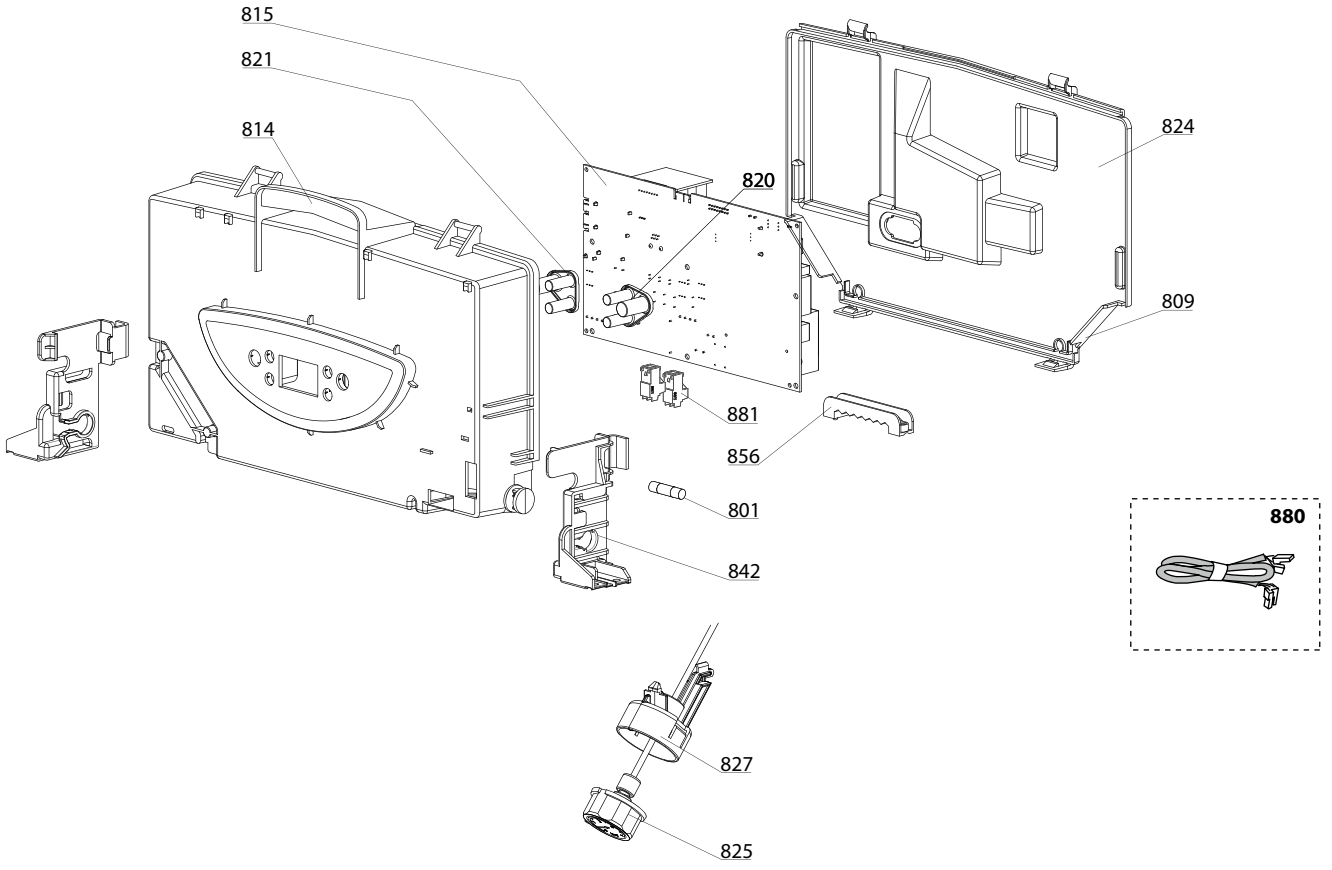


Description	Manf. Pt. N	Type	<div style="display: flex; justify-content: space-between; font-size: small;"> <span>HS X 15 CF</span><span>HS X 24 CF</span><span>HS X 15 FF</span><span>HS X 18 FF</span><span>HS X 24 FF</span><span>CARES X 15 CF</span><span>CARES X 24 CF</span><span>CARES X 15 FF</span><span>CARES X 24 FF</span><span>CARES X SYSTEM 24 CF</span><span>CARES X SYSTEM 24 FF</span> </div>																		From	to
			1	2	3	4	5	6	7	8	9	10	11	12	13	14	15	16	17	18		
<b>0100 BURNER ASSEMBLY</b>																						
0101 ELECTRODE (IGNITION/IONIZATION)	65115802		●	●	●	●	●	●	●	●	●	●	●									
0110 PANELS (KIT)	65104695		●	●				●	●			●										
PANELS (KIT)	65106298				●	●	●			●	●	●	●									
0111 HEAT EXCHANGER	65104247		●	●				●	●			●										
HEAT EXCHANGER	65115065				●	●	●			●	●	●	●									
0112 BURNER 11NP	65106294				●	●	●			●	●	●	●									
BURNER 13NP	60001582		●	●				●	●			●										
0113 GAS MANIFOLD 11 INJ. D:1.32	65106302	G20			●	●	●			●	●	●	●									
GAS MANIFOLD 13 INJ. D:1.25	65104302	G20	●	●				●	●			●										
<b>0200 GAS SECTION</b>																						
0201 GAS VALVE	65115771		●	●	●	●	●	●	●	●	●	●	●	●	●	●	●	●	●			
0204 SPARK GENERATOR	65115791		●	●	●	●	●	●	●	●	●	●	●	●	●	●	●	●	●			
0214 PIPE (GAS VALVE/BURNER)	65115772		●	●	●	●	●	●	●	●	●	●	●	●	●	●	●	●	●			
0216 GROMMET	60000624		●	●	●	●	●	●	●	●	●	●	●	●	●	●	●	●	●			
0217 UNION (3/4»)	65114929		●	●	●	●	●	●	●	●	●	●	●	●	●	●	●	●	●			
0218 UNION (1/2»)	65114930		●	●	●	●	●	●	●	●	●	●	●	●	●	●	●	●	●			
0251 EPDM PIPE	65115773		●	●	●	●	●	●	●	●	●	●	●	●	●	●	●	●	●			
0261 CLIP	60001861		●	●	●	●	●	●	●	●	●	●	●	●	●	●	●	●	●			
0270 GASKET (SPARK GENERATOR)	574279		●	●	●	●	●	●	●	●	●	●	●	●	●	●	●	●	●			
0281 O-RING 22.22X2.62	65104304		●	●	●	●	●	●	●	●	●	●	●	●	●	●	●	●	●			
0283 O-RING 17.17X1.78	65104303		●	●	●	●	●	●	●	●	●	●	●	●	●	●	●	●	●			
<b>0300 FAN ASSEMBLY</b>																						
0301 THERMOSTAT 75-65°C	999539		●	●	●	●	●	●	●	●	●	●	●	●	●	●	●	●	●			
0302 AIR PRESSURE SWITCH 50 Pa	65104671-01				●	●	●			●	●	●	●									
0303 FAN 24 KW	65115813				●	●	●			●	●	●	●									
0310 AIR CONNECTION	65115914				●	●	●			●	●	●	●									
0313 COMBUSTION CHAMBER 24 CF	65104218		●	●				●	●			●										
0314 COMBUSTION CHAMBER 24 FF	65115800				●	●	●			●	●	●	●									
0315 CONDENSATE TRAP	65105349				●	●	●			●	●	●	●									
0316 PANEL (INSULATION - FAN)	65104305				●	●	●			●	●	●	●									
0317 SUPPORT (AIR PRESSURE SWITCH)	65115812				●	●	●			●	●	●	●									
0318 VENTURI 15/24FF	65106516				●	●	●			●	●	●	●									
0319 RESTRICTOR KIT	60001598		●	●	●	●	●	●	●	●	●	●	●	●	●	●	●	●	●			
0374 CABLE INLET RUBBER WASHER	60000716		●	●	●	●	●	●	●	●	●	●	●	●	●	●	●	●	●			
<b>0400 SEALED CASE</b>																						
0401 EXPANSION VESSEL 8L	65104261		●	●	●	●	●	●	●	●	●	●	●	●	●	●	●	●	●			
0410 PANEL (COMBUSTION CHAMBER)	65104240		●	●				●	●			●										
PANEL (COMBUSTION CHAMBER)	65106296				●	●	●			●	●	●	●									
0414 PANEL (FRONT - SEALED CHAMBER)	65105678-02				●	●	●			●	●	●	●									
0416 SIDE PANELS LEFT + RIGHT - WHITE	65115804		●	●	●	●	●	●	●	●	●	●	●	●	●	●	●	●	●			
0417 CASE PANEL (FRONT)	65115823							●	●			●	●	●	●	●	●	●	●			
CASE PANEL (FRONT)	65115824		●	●	●	●	●			●	●	●	●	●	●	●	●	●	●			
0420 EXPANSION VESSEL SUPPORT	65104696		●	●	●	●	●	●	●	●	●	●	●	●	●	●	●	●	●			

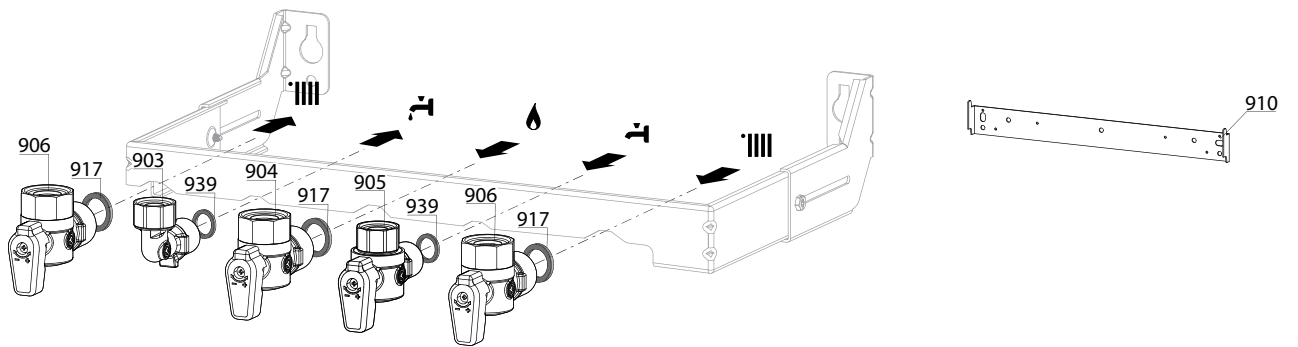


Description	Manf. Pt N	Type	<div style="display: flex; justify-content: space-between; font-size: small;"> <div style="writing-mode: vertical-rl; transform: rotate(180deg);">HS X 15 CF</div> <div style="writing-mode: vertical-rl; transform: rotate(180deg);">HS X 24 CF</div> <div style="writing-mode: vertical-rl; transform: rotate(180deg);">HS X 15 FF</div> <div style="writing-mode: vertical-rl; transform: rotate(180deg);">HS X 18 FF</div> <div style="writing-mode: vertical-rl; transform: rotate(180deg);">HS X 24 FF</div> <div style="writing-mode: vertical-rl; transform: rotate(180deg);">CARES X 15 CF</div> <div style="writing-mode: vertical-rl; transform: rotate(180deg);">CARES X 24 CF</div> <div style="writing-mode: vertical-rl; transform: rotate(180deg);">CARES X 15 FF</div> <div style="writing-mode: vertical-rl; transform: rotate(180deg);">CARES X 24 FF</div> <div style="writing-mode: vertical-rl; transform: rotate(180deg);">CARES X SYSTEM 24 CF</div> <div style="writing-mode: vertical-rl; transform: rotate(180deg);">CARES X SYSTEM 24 FF</div> </div>												<div style="border: 1px solid black; padding: 2px;"> <span style="font-size: x-small;">31</span> </div>							
			1	2	3	4	5	6	7	8	9	10	11	12	13	14	15	16	17	18	From	to
<b>0500 FLOW GROUP</b>																						
0501 FLOW GROUP	65115933												•	•								
FLOW GROUP	65115933		•	•	•	•	•	•	•	•	•	•								08/16	05/18	
FLOW GROUP	65117952		•	•	•	•	•	•	•	•	•	•								06/18		
REPLACEMENT HYDRAULIC KIT	65116615		•	•	•	•	•	•	•	•	•	•										07/16
0502 TEMPERATURE PROBE + CLIP	990686-01		•	•	•	•	•	•	•	•	•	•										
0503 PRESSURE RELIEF VALVE (3 BAR)	61312668		•	•	•	•	•	•	•	•	•	•										
0507 SANITARY HEAT EXCHANGER (16 P.)	65104333		•	•	•	•	•	•	•	•	•	•										
0514 BY-PASS	65114917		•	•	•	•	•	•	•	•	•	•										
0515 GROMMET	60000808		•	•	•	•	•	•	•	•	•	•										
0519 INTERFACE 'System +' Open	60001365												•	•								
0521 HYDRAULIC GROUP SUPPORT	65115797		•	•	•	•	•	•	•	•	•	•										
0550 PIPE (SAFETY VALVE OUTLET)	60001955		•	•	•	•	•	•	•	•	•	•										
0551 PIPE (C.H. FLOW)	65115067				•	•	•	•			•	•	•									
PIPE (C.H. FLOW)	65115763		•	•				•	•				•									
0557 PIPE	65115935												•	•								
0560 CLIP	65114933		•	•	•	•	•	•	•	•	•	•										
0561 CLIP	61307589		•	•	•	•	•	•	•	•	•	•										
0562 CLIP D18	65104259		•	•	•	•	•	•	•	•	•	•										
0563 CLIP	65114932		•	•	•	•	•	•	•	•	•	•										
0581 O-RING 17.96X2.62	65104337		•	•	•	•	•	•	•	•	•	•										
0582 O-RING 17.86X2.62	61308091		•	•	•	•	•	•	•	•	•	•										
0585 O-RING 17.04X3.53	65104262		•	•	•	•	•	•	•	•	•	•										
0588 EXCHANGER GASKET	65114928		•	•	•	•	•	•	•	•	•	•										
0590 O-RING 11.91X2.62	65114940		•	•	•	•	•	•	•	•	•	•										
<b>0600 RETURN GROUP</b>																						
0601 REPLACEMENT HYDRAULIC KIT	65116615		•	•	•	•	•	•	•	•	•	•										07/16
RETURN GROUP	65116540		•	•	•	•	•	•	•	•	•	•								08/16	05/18	
RETURN GROUP	65116613												•	•								
RETURN GROUP	65117953		•	•	•	•	•	•	•	•	•	•								06/18		
0602 LOW PRESSURE SWITCH	65115792		•	•	•	•	•	•	•	•	•	•										
0603 TEMPERATURE PROBE + CLIP	990686-01		•	•	•	•	•	•	•	•	•	•										
0604 PUMP 5M 1V WILO	60000876	WILO	•	•	•	•	•	•	•	•	•	•										
0605 MOTOR (3-WAY VALVE)	65114936		•	•	•	•	•	•	•	•	•	•										
0606 SENSOR (REED)	65114921-01		•	•	•	•	•	•	•	•	•	•										
0607 FLOW METER	65114919		•	•	•	•	•	•	•	•	•	•										
0610 MOTOR + SPRING 3 WAY VALVE KIT	65114924		•	•	•	•	•	•	•	•	•	•										
0612 PLUG	65114920		•	•	•	•	•	•	•	•	•	•										
0613 CLIP D10	65104260		•	•	•	•	•	•	•	•	•	•										
0614 AUTO AIR VENT - WILO	65104703	WILO	•	•	•	•	•	•	•	•	•	•										
0615 DRAIN COCK	65114922		•	•	•	•	•	•	•	•	•	•										
0616 WATER FILTER	65114923		•	•	•	•	•	•	•	•	•	•										
0617 GROMMET	60000807		•	•	•	•	•	•	•	•	•	•										
0620 FILLING TAP KIT	65116541		•	•	•	•	•	•	•	•	•	•										
0622 BY-PASS	65114917		•	•	•	•	•	•	•	•	•	•										
0623 NON-RETURN VALVE	65114918		•	•	•	•	•	•	•	•	•	•										
0650 PIPE (EXPANSION VESSEL)	65115068		•	•	•	•	•	•	•	•	•	•										
0651 PIPE (C.H. RETURN)	65115069				•	•	•	•			•	•	•									
PIPE (C.H. RETURN)	65115770		•	•				•	•				•									
0653 BY-PASS PIPE	65116210		•	•	•	•	•	•	•	•	•	•										05/18
BY-PASS PIPE	65116210												•	•								
0662 CLIP	61307589		•	•	•	•	•	•	•	•	•	•										
0663 U-CLIP	65104704		•	•	•	•	•	•	•	•	•	•										
0664 CLIP	65104322		•	•	•	•	•	•	•	•	•	•										
0665 CLIP	65114932		•	•	•	•	•	•	•	•	•	•										
0666 CLIP	60000309		•	•	•	•	•	•	•	•	•	•										
0667 CLIP	65100680		•	•	•	•	•	•	•	•	•	•										
0668 CLIP	65114927		•	•	•	•	•	•	•	•	•	•										
0672 CLIP	65114931		•	•	•	•	•	•	•	•	•	•										
0680 GASKET 3/8»	573521		•	•	•	•	•	•	•	•	•	•										
0681 O-RING 9.9X2.62	65114937		•	•	•	•	•	•	•	•	•	•										
0682 O-RING 17.04X3.53	65104262		•	•	•	•	•	•	•	•	•	•										
0683 O-RING 23.47X2.62	65114939		•	•	•	•	•	•	•	•	•	•										
0684 O-RING 3X35 EPDM 75 SH	65104705		•	•	•	•	•	•	•	•	•	•										
0687 O-RING 5.7X1.9	61009834-10		•	•	•	•	•	•	•	•	•	•										
0688 O-RING 21.89X2.62	65104320		•	•	•	•	•	•	•	•	•	•										
0690 O-RING 8.9X2.7	61009834-14		•	•	•	•	•	•	•	•	•	•										
0691 O-RING 17.86X2.62	61308091		•	•	•	•	•	•	•	•	•	•										
0692 O-RING 11.91X2.62	65114940		•	•	•	•	•	•	•	•	•	•										
0693 O-RING 15.88X2.62	65114941		•	•	•	•	•	•	•	•	•	•										
0694 O-RING 17.13X2.62	65114938		•	•	•	•	•	•	•	•	•	•										

800



900



☉⇒	Description	Manf. Pt. N	Type																			From	to
				1	2	3	4	5	6	7	8	9	10	11	12	13	14	15	16	17	18		
<b>0800</b>	<b>ELECTRICAL BOX</b>																						
0809	GROMMET (REGULATION ACCESS)	998382		•	•	•	•	•	•	•	•	•	•	•	•								
0814	CONTROL PANEL COVER (FRONT)	65115818								•	•	•	•	•	•								
	CONTROL PANEL COVER (FRONT)	65115819		•	•	•	•	•															
0815	P.C.B. (MAIN)	65115782-01		•	•	•	•	•	•	•	•	•	•	•	•								
0820	PUSH BUTTON (R.H.SIDE)	65153181		•	•	•	•	•	•	•	•	•	•	•	•								
0821	PUSH BUTTON (L.H.SIDE)	65153180		•	•	•	•	•	•	•	•	•	•	•	•								
0824	CONTROL PANEL COVER (REAR)	65115820		•	•	•	•	•	•	•	•	•	•	•	•								
0825	PRESSURE GAUGE 0-4 BAR D27MM KPL.	65114200		•	•	•	•	•	•	•	•	•	•	•	•								
0827	SUPPORT (PRESSURE GAUGE)	65115809		•	•	•	•	•	•	•	•	•	•	•	•								
0842	SIDE COVER SUPPORT	65115811		•	•	•	•	•	•	•	•	•	•	•	•								
0856	CABLE CLAMP	65103377		•	•	•	•	•	•	•	•	•	•	•	•								
0880	3-WAY VALVE CABLE	65115790		•	•	•	•	•	•	•	•	•	•	•									
	3-WAY VALVE CABLE	65115937													•	•							
	CABLE (IONIZATION ELECTRODE)	60001883		•	•	•	•	•	•	•	•	•	•	•	•								
	EARTH WIRE	65104286		•	•	•	•	•	•	•	•	•	•	•	•								
	FEEDER 240V	60001619		•	•	•	•	•	•	•	•	•	•	•	•								
	NTC - PRES SWITCH CABLE	65115789		•	•	•	•	•	•	•	•	•	•	•	•								
	PUMP 1V CABLE WILO	65105081	WILO	•	•	•	•	•	•	•	•	•	•	•	•								
0881	CONNECTOR 2P	65111933		•	•	•	•	•	•	•	•	•	•	•	•								
	CONNECTOR 3P (x5)	65111934-01		•	•	•	•	•	•	•	•	•	•	•	•								
<b>0900</b>	<b>JIG PLATE &amp; PIPE FITTING</b>																						
0903	HOT WATER CONNECTION	60000891		•	•	•	•	•	•	•	•	•	•	•	•								
0904	GAS SERVICE TAP	60000898		•	•	•	•	•	•	•	•	•	•	•	•								
0905	COLD WATER TAP	60000894		•	•	•	•	•	•	•	•	•	•	•	•								
0906	WATER FLOW & RETURN SERVI. TAP	60000885		•	•	•	•	•	•	•	•	•	•	•	•								
0910	WALL HOOK	60000625		•	•	•	•	•	•	•	•	•	•	•	•								
0917	SHEET GASKET D: 24-17-1.5	60061855-19		•	•	•	•	•	•	•	•	•	•	•	•								
0939	WASHER D: 18.4-12.2-1.5	60061855-14		•	•	•	•	•	•	•	•	•	•	•	•								

HS X - CARES X

Gas-wall boiler atm. burner

## LIST OF THE ABBREVIATIONS

HW .....	: Hot water.
CW .....	: Cold water.
C .....	: Ceramic resistance (normal heating).
Ca .....	: Ceramic resistance (accelerated heating)
TP .....	: Immersion heater.
1F .....	: With fittings.
2F .....	: Without fittings.
3F .....	: With fittings and another outlet connection.
AMI .....	: With mixing valve.
SMI .....	: Without mixing valve.
PUISS .....	: Power of th appliance.
PN .....	: Appliance with normal pression.
LP .....	: Appliance with low pression.
PV .....	: Appliance with variable power.
PF .....	: Appliance with fixed power.

## IDENTIFICATION PLATE

### SERIAL NUMBER

<b>10 Characters :</b>	04 05 125 011	
		Sequential number
		Manufacturing day
		Year of manufacture
<b>11 Characters :</b>	1 95 065004 - 31	
Month of manufacture :		Technical number of the appliance
from 1 to 9 → Jan. to Sep.,		Sequential number
O → Oct., N → Nov.,		Year of manufacture
D → Dec.		
<b>19 Characters :</b>	08 05 0013199 900640031	
Year of manufacture		Product reference
Month of manufacture		Sequential number
<b>20 Characters :</b>	3675007 XX 2 07 070 00315	
Product reference		Sequential number
Millenium of manufacture		Manufacturing day
		Year of manufacture
<b>21 Characters :</b>	3675007 XX 07 070 0000315	
Product reference		Sequential number
Year of manufacture		Manufacturing day