



**ARISTON**

## SPARE PARTS EXPLODED VIEW GAS-WALL BOILER ATM. BURNER

Model

**CLAS X**

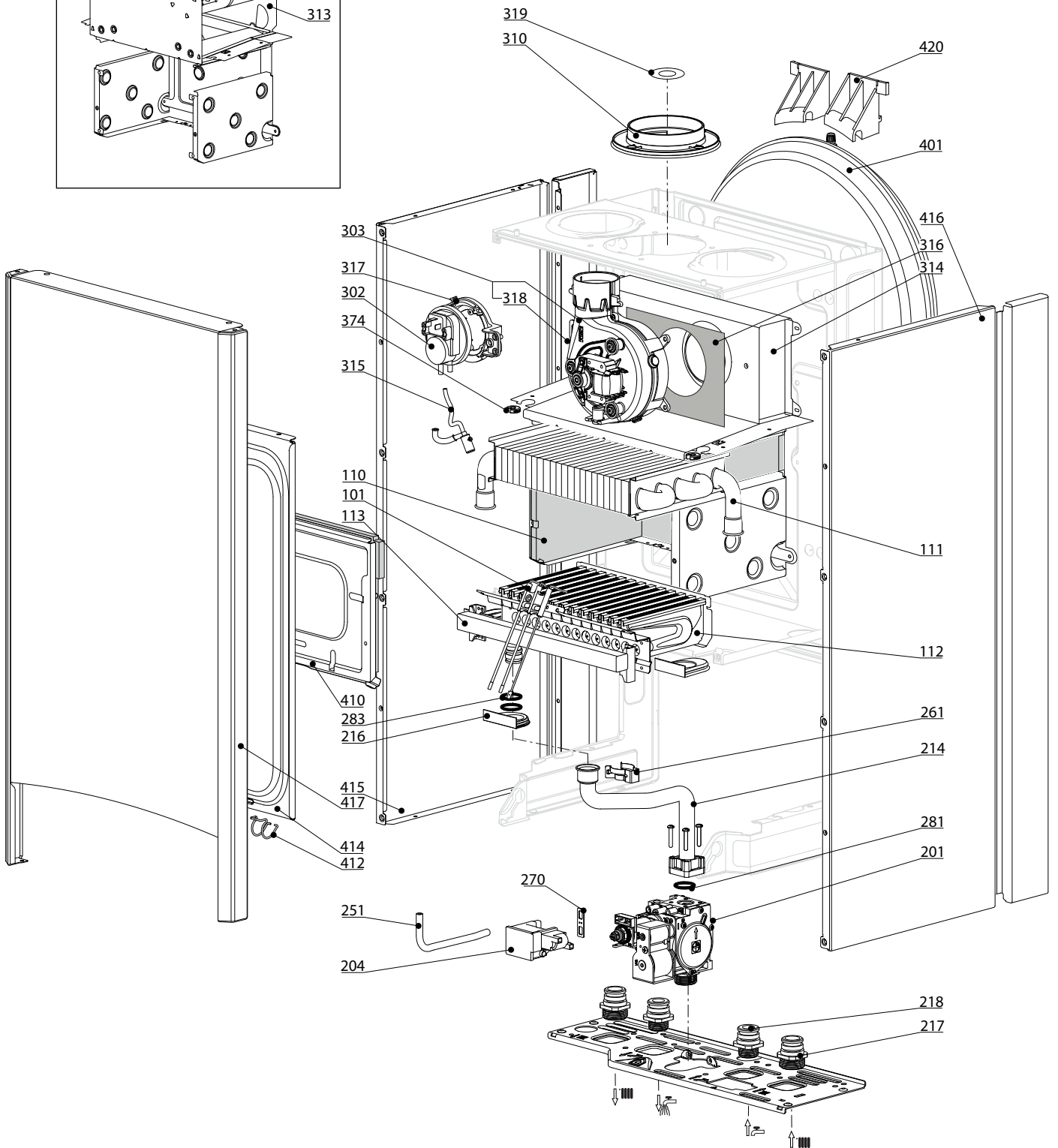
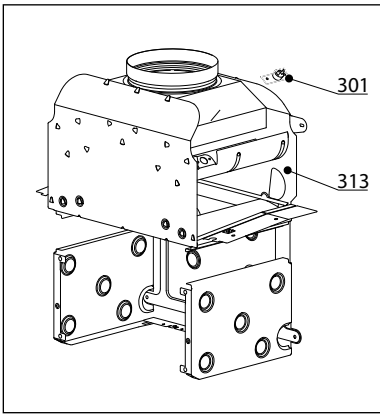
R8203475-05 - 24/09/2018

CLAS X

Gas-wall boiler atm. burner

1	3300866	CLAS X 24 CF NG	09-2016	-
2	3300864	CLAS X 24 FF NG	09-2016	-
2	3301335	CLAS X 24 FF NG	02-2018	-
3	3300865	CLAS X 28 FF NG	09-2016	-
3	3301336	CLAS X 28 FF NG	02-2018	-
4	3301320	CLAS X 35 FF NG	02-2018	-
5	3300867	CLAS X SYSTEM 24 CF NG	12-2016	-
6	3300868	CLAS X SYSTEM 28 CF NG	12-2016	-
7	3300869	CLAS X SYSTEM 24 FF NG	12-2016	-
8	3300870	CLAS X SYSTEM 28 FF NG	12-2016	-
9	3300871	CLAS X SYSTEM 32 FF NG	12-2016	-
Col	Reference	Model type	Begin	End

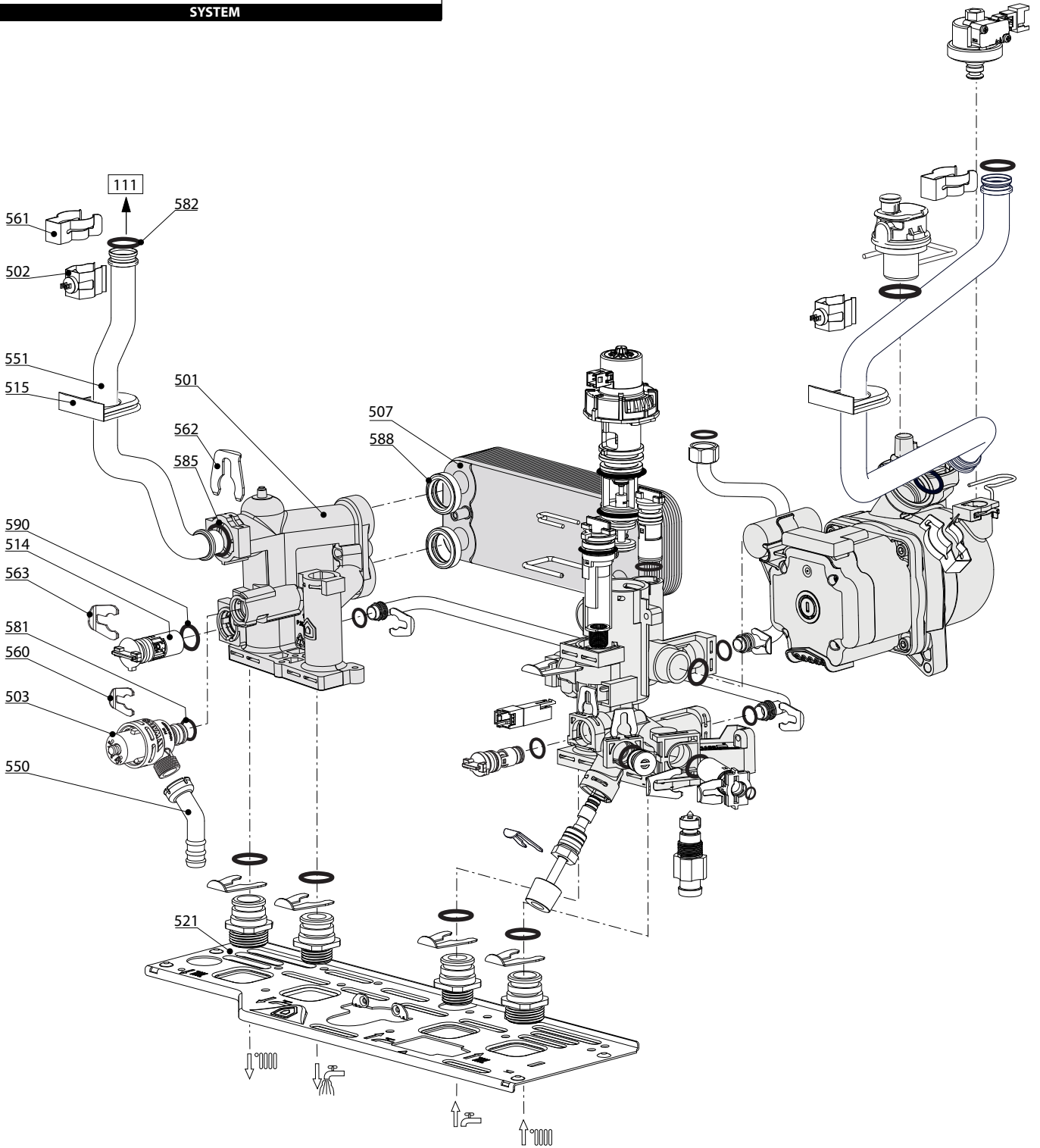
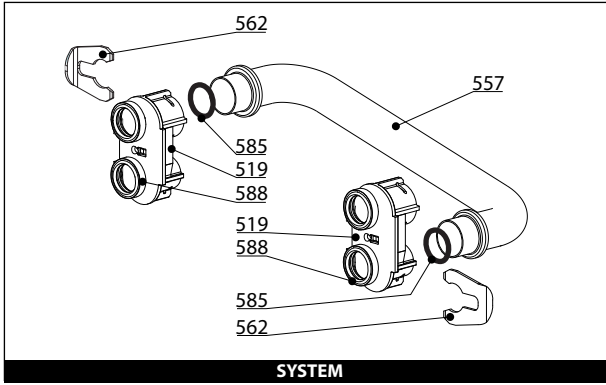
100  
200  
300  
400



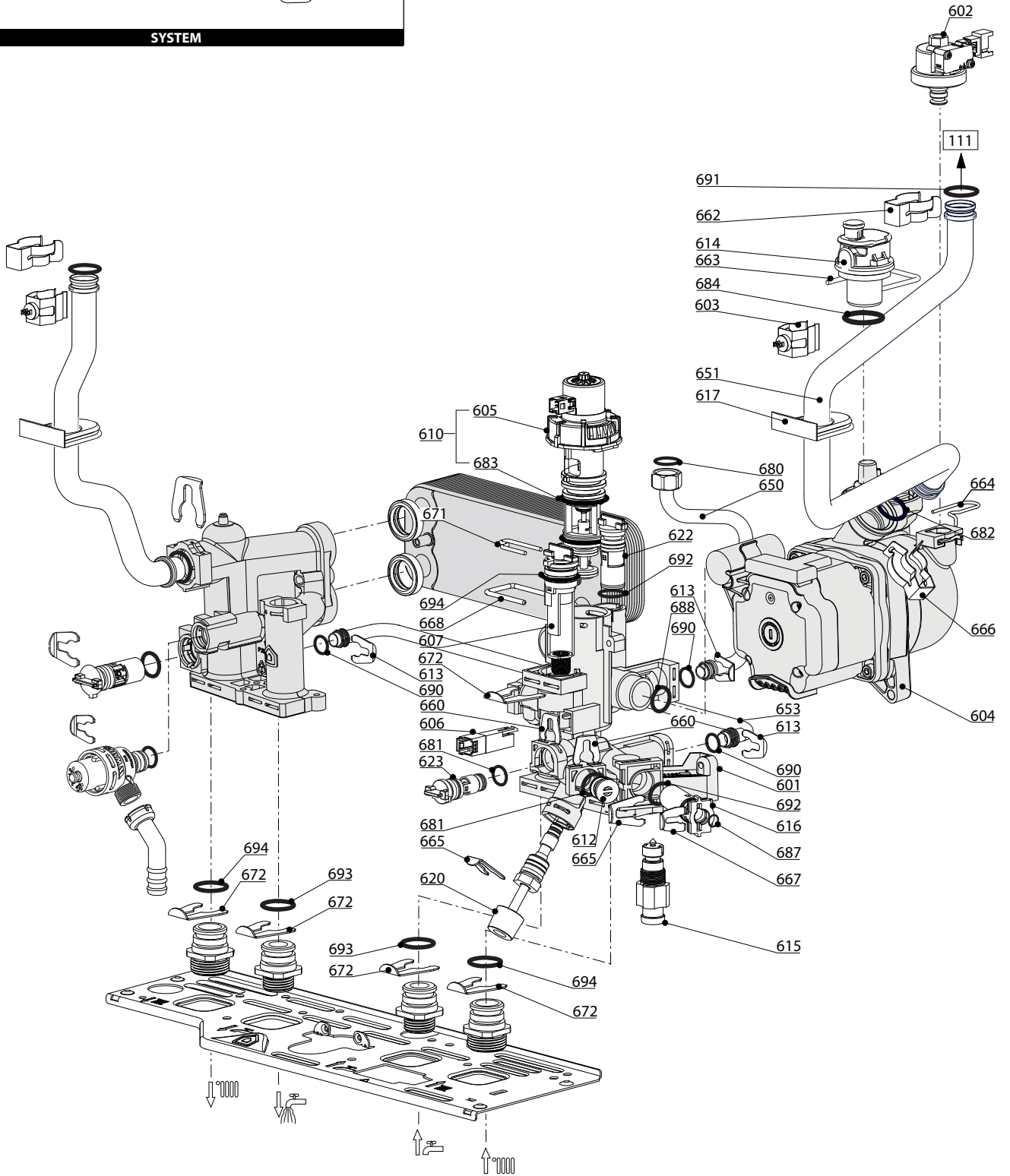
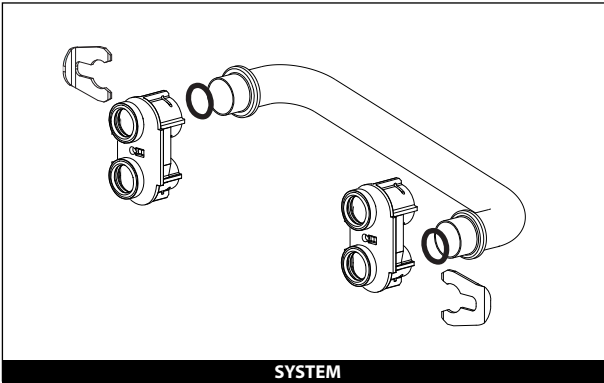
CLAS X

Gas-wall boiler atm. burner

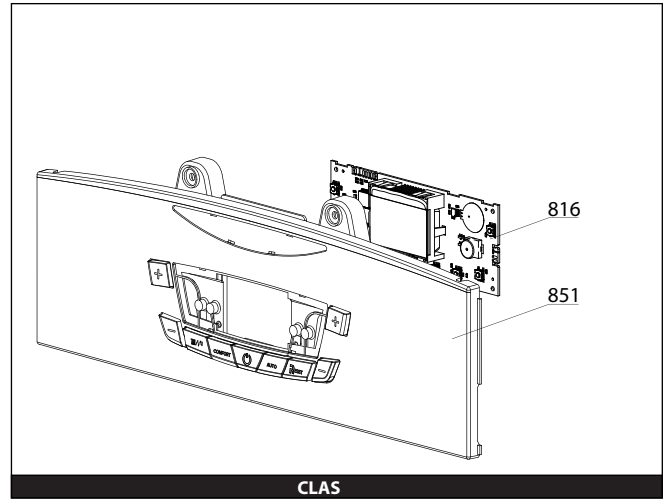
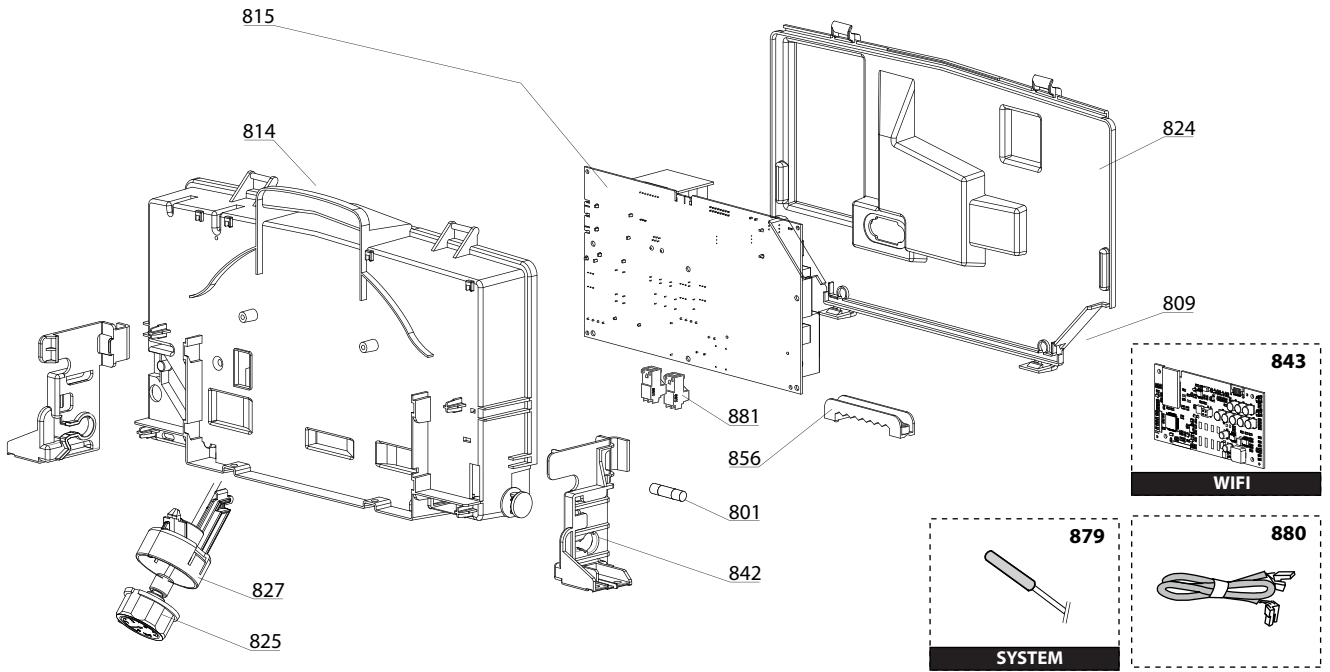




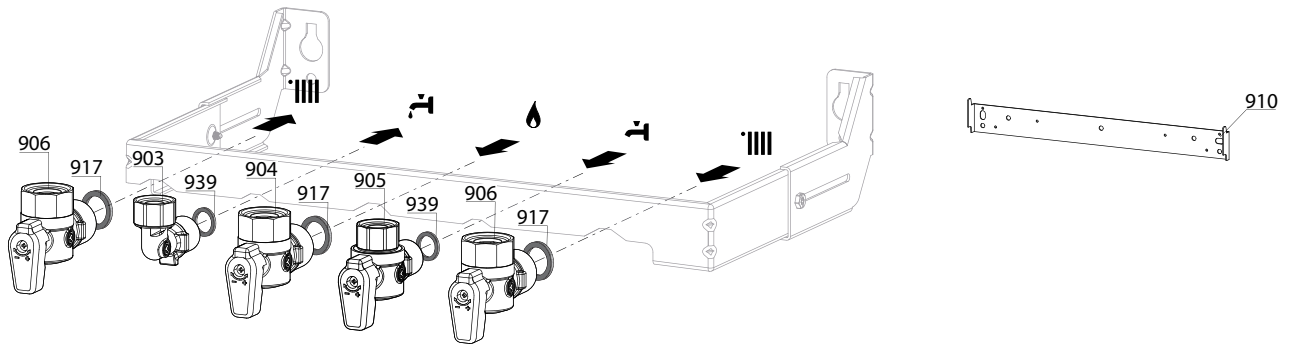








900



5000

**5001**  
 Transf. gaz  
 Conv. gas > **G31**  
 (LPG - GPL)  
 Trsf. gas  
 Transf. gas

**5002**  
 Transf. gaz  
 Conv. gas > **G20**  
 (NAT - MET)  
 Trsf. gas  
 Transf. gas

**5020**  
 Options  
 Accessories  
 Opzioni  
 Accessorio





## LIST OF THE ABBREVIATIONS

HW .....	: Hot water.
CW .....	: Cold water.
C .....	: Ceramic resistance (normal heating).
Ca .....	: Ceramic resistance (accelerated heating)
TP .....	: Immersion heater.
1F .....	: With fittings.
2F .....	: Without fittings.
3F .....	: With fittings and another outlet connection.
AMI .....	: With mixing valve.
SMI .....	: Without mixing valve.
PUISS .....	: Power of th appliance.
PN .....	: Appliance with normal pression.
LP .....	: Appliance with low pression.
PV .....	: Appliance with variable power.
PF .....	: Appliance with fixed power.

## IDENTIFICATION PLATE

### SERIAL NUMBER

<b>10 Characters :</b>	04 05 125 011		
		Sequential number	
		Manufacturing day	
		Year of manufacture	
<b>11 Characters :</b>	1 95 065004 - 31		
Month of manufacture :		Technical number of the appliance	
from 1 to 9 → Jan. to Sep.,		Sequential number	
O → Oct., N → Nov.,		Year of manufacture	
D → Dec.			
<b>19 Characters :</b>	08 05 0013199 900640031		
Year of manufacture		Product reference	
Month of manufacture		Sequential number	
<b>20 Characters :</b>	3675007 XX 2 07 070 00315		
Product reference		Sequential number	
Millenium of manufacture		Manufacturing day	
		Year of manufacture	
<b>21 Characters :</b>	3675007 XX 07 070 0000315		
Product reference		Sequential number	
Year of manufacture		Manufacturing day	